

CS BOV



State of the School Address

presented by

John K. Antonio

School of Computer Science
Board of Visitors Meeting
University of Oklahoma

September 24, 1999



BS Degree Program

- 343 students enrolled for Fall 1999
- Accredited by CSAB in Fall 1997
- Program Content
 - Computer Science 14 courses (3 elective)
 - Mathematics 8 courses
 - Chemistry 2 courses
 - Physics 1 course
 - Electrical Engineering 1 course
 - English Composition 2 courses
 - Humanities/Social Sci 6 courses
 - Communications 2 courses
 - Directed Electives 2 courses
- 120 hour degree program

Undergraduate Courses

(Lower-Division)



- C S 1313 Computer programming
- C S 1323 Fundamentals of computer programming
- C S 1333 Programming structures and abstractions
- C S 1813 Discrete mathematics
- C S 2413 Data structures
- C S 2613 Computer organization

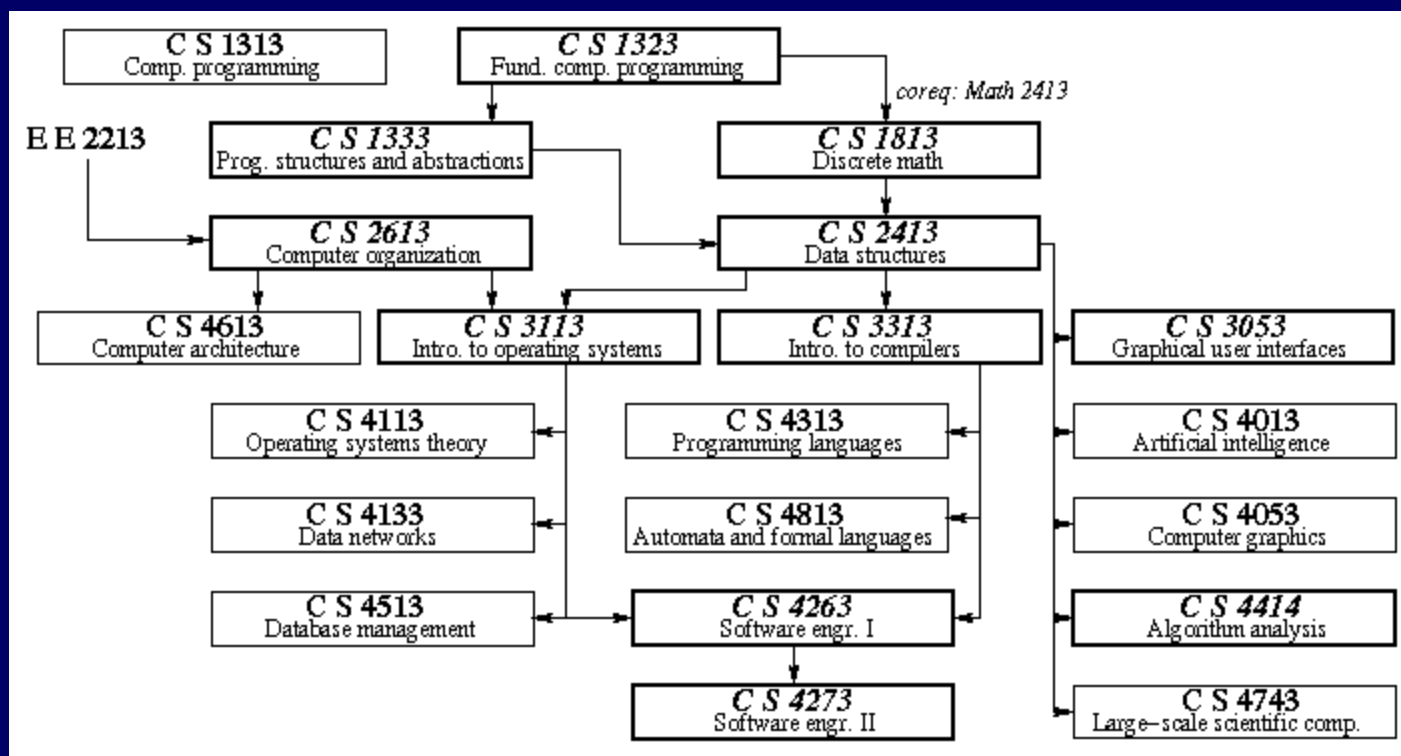
Undergraduate Courses

(Upper-Division)



- C S 3053 Graphical user interfaces
- C S 3113 Introduction to operating systems
- C S 3313 Introduction to compilers
- C S 4013 Artificial intelligence
- C S 4053 Computer graphics
- C S 4113 Operating systems theory
- C S 4133 Data networks
- C S 4263 Software engineering I
- C S 4273 Software engineering II
- C S 4313 Programming languages
- C S 4414 Algorithm analysis
- C S 4513 Database management
- C S 4613 Computer architecture
- C S 4743 Large-scale scientific computing
- C S 4813 Automata and formal languages

Undergraduate Prerequisite Structure





MS Degree Program

- 97 students enrolled for Fall 1999
- Thesis Option: 30 credit hours + thesis
- Non-Thesis Option: 32 credit hours + exit oral exam

Ph.D. Degree Program

- 16 students enrolled for Fall 1999
- Requirements: MS degree + 30 credit hours + qualifying exam + general exam + dissertation



- C S 5013 Automatic theorem proving
- C S 5033 Neural networks and fuzzy logic
- C S 5053 Computer graphics
- C S 5063 Computer vision
- C S 5113 Operating systems theory
- C S 5123 System modeling and performance
- C S 5133 Data networks
- C S 5273 Digital image processing
- C S 5323 Compiler construction
- C S 5413 Computational complexity
- C S 5423 Combinatorial algorithms
- C S 5463 Advanced data structures
- C S 5513 Advanced database management
- C S 5613 Computer networks and distributed processing
- C S 5633 Advanced computer architecture
- C S 5743 Large-scale scientific computing
- C S 5813 Automata and formal languages



Hard Money

Faculty 13 (11 + 2 new positions)

Office Staff 3 (2 + 1 new position)

Technician 1 (new position)

Grad Teaching Assistants 13

Instructor 1

Undergraduate Assistants 3

Hourly Student Assistants 5

Graduate Research Fellows 5

Research Scholars 2

Grad Research Assistants 19

Soft Money





School of Computer Science Annual Budget

- Salaries (13 Faculty, 3 Staff, 1 Technician, 13 GTAs)
- Maintenance and Operation : \$60,000

School of Computer Science One Time Budget

- Renovation Project: \$75,000
- Research Start-Up
 - Director: \$150,000
 - New Faculty #1: \$50,000
 - New Faculty #2: \$35,000



Scholarships from COE Foundation/Development

- Incoming Freshmen 31
- Sophomore, Junior, and Senior 15

CS Foundation Accounts

- Corp Scholarships, Donations, etc. ~\$55,000 (balance)
- Jon R. Withrow CS Scholarship \$25,000 (endowment)
- Hitachi Chair ~\$500,000* (endowment)

* Matched by State Regents



External Support for CS

(continued)



CS Sponsored Research

Statistics for 18 Currently Active Contracts (as of 8/31/99)

	<i>Total</i>	<i>Min</i>	<i>Max</i>	<i>Avg</i>
<i>Budget</i>	\$1,847,788	\$5,870	\$340,071	\$102,655
<i>Unexpended Budget</i>	\$834,282	\$231	\$326,546	\$46,349
<i>Months Remaining</i>	174	1	24	10
<i>Proj. Mo. Burn Rate</i>	\$75,348	\$23	\$20,409	\$4,186

Projected Expenditures for 9/1/99 through 8/31/00: \$904,176

Expenditures for FY99 (7/1/98 through 6/30/99): \$498,465